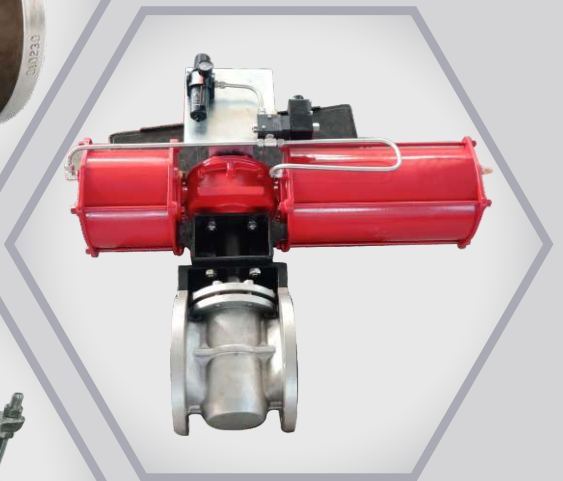


SLEEVED PLUG VALVES

Acids | Chlorine | Chemicals | Steam

MATERIALS

WCB	Inconel
Stainless	Monel
Alloy 20	Duplex
Nickel	Hastelloy

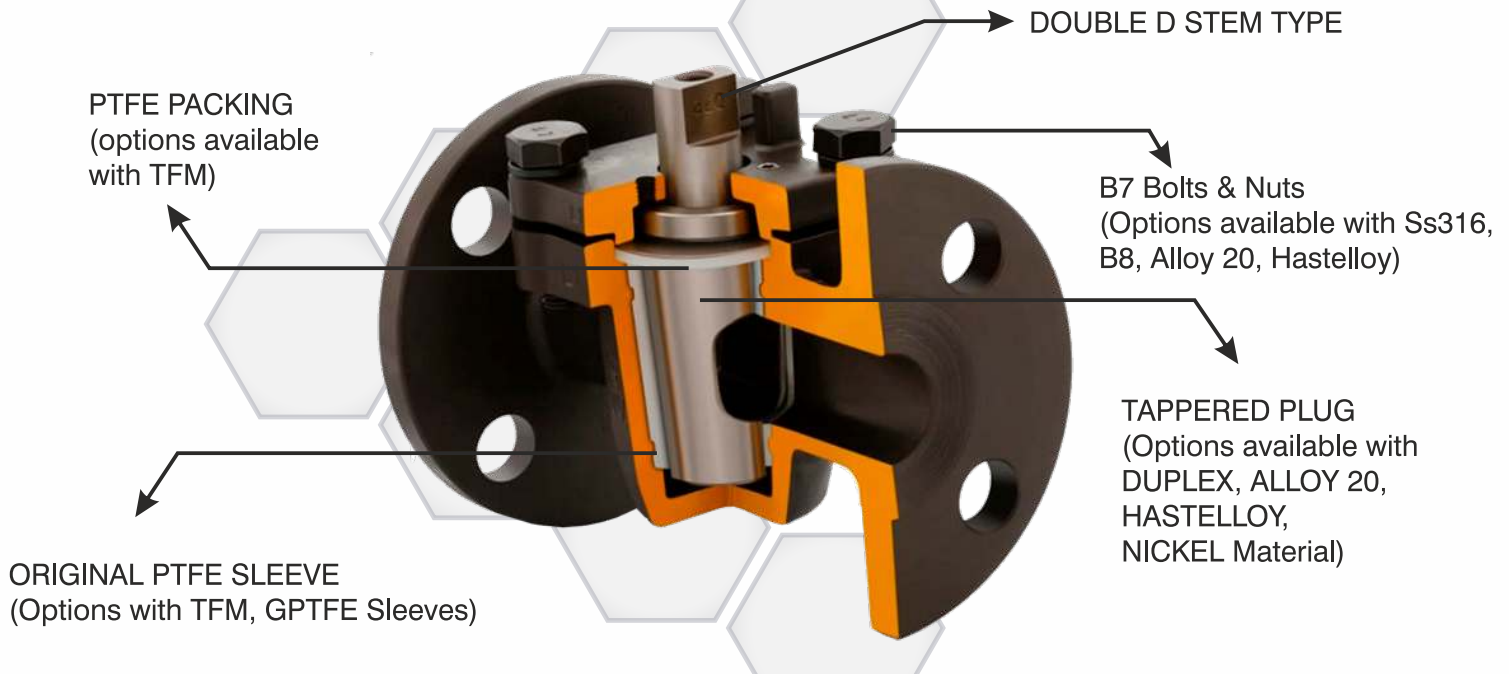


About us

We are TEXAS, USA based Company supply valves & Pumps for various Industrial applications. We have complete Range of Sleeved Plug Valves & PTFE Expansion Joints.

We do all kinds of Special Alloys Body material & Trim materials like Nickel, Alloy 20, Duplex, Hastelloy etc.

Product Feature & Option available



**Fugitive Emission Test Certi. as per ISO-15848-1.
Fire safe test certification as per API 607.**

SLEEVED PLUG VALVE



LEVER OPERATED



GEAR OPERATED



ACTUATED



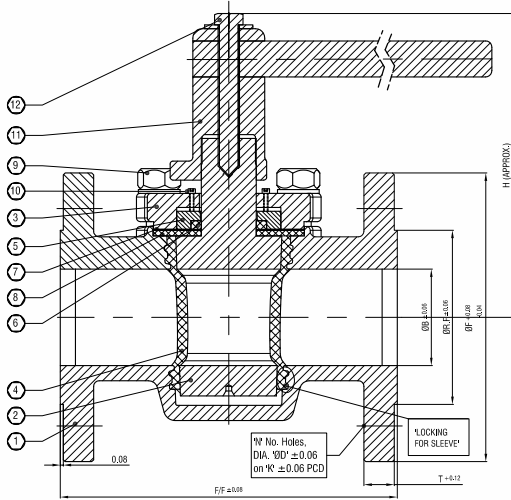
JACKETED SLEEVED PLUG VALVES



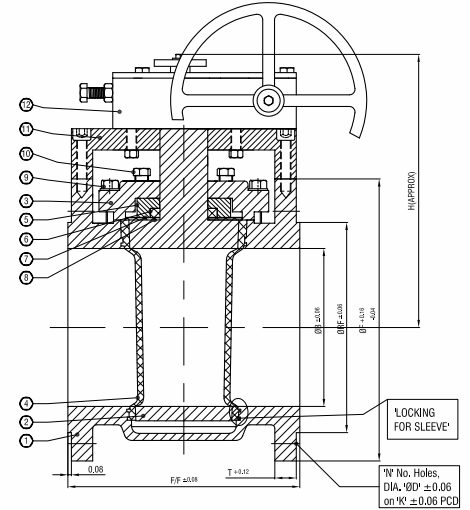
P T F E E X P A N S I O N J O I N T

Sleeved Plug Valve Lever Operated - class 150#

Sleeved Plug Valve Gear Operated - class 150#



S.NO	PART NAME
1	BODY
2	PLUG
3	COVER
4	SLEEVE
5	THRUST COLLAR
6	WEDGE RING
7	METAL DIAPHRAGM
8	DIAPHRAGM
9	COVER BOLT
10	ADJUSTING BOLT
11	WRENCH / BRACKET
12	WRENCH BOLT / GEAR BOX

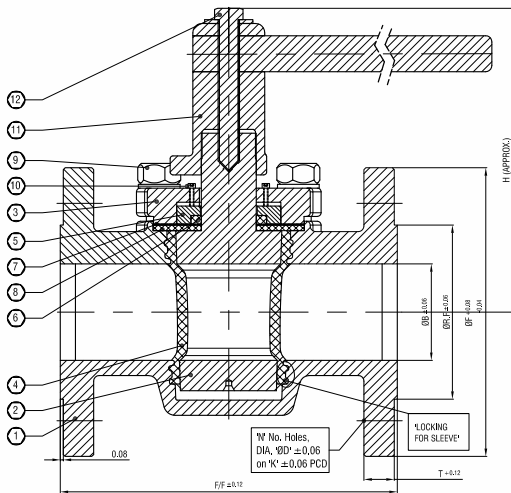


ALL DIMENSIONS ARE IN "INCH" UNLESS OTHERWISE SPECIFIED

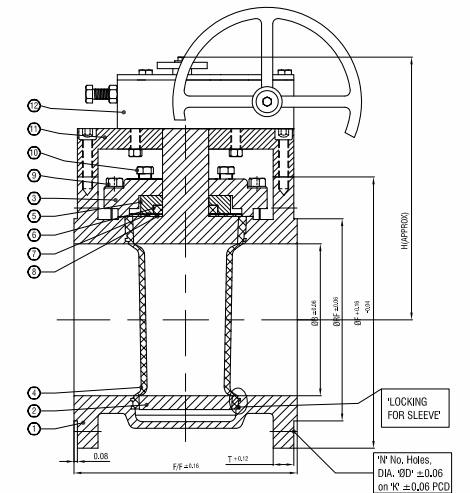
SR. NO.	SIZE	F/F	øB	øF	T	øRF	N	øD	K	H	Wt in Kgs
01	0.5"	4.25	0.51	3.55	0.30	1.37	4	0.62	2.37	3.55	2
02	0.75"	4.60	0.75	3.94	0.35	1.69	4	0.62	2.75	3.75	2.5
03	1"	5.00	1.00	4.33	0.38	2.00	4	0.62	3.12	3.94	4
04	1.5"	6.50	1.50	4.92	0.50	2.87	4	0.62	3.87	5.11	6.5
05	2"	7.00	2.00	5.90	0.56	3.62	4	0.75	4.75	6.10	10
06	2.5"	7.50	2.50	7.09	0.62	4.12	4	0.75	5.50	5.50	12.5
07	3"	8.00	3.15	7.50	0.69	5.00	4	0.75	6.00	7.08	15.5
08	4"	9.00	4.00	9.05	0.88	6.19	8	0.75	7.50	8.27	26
09	6"	10.50	5.98	11.02	0.94	8.50	8	0.87	9.50	10.90	65
10	8"	11.50	8.00	13.58	1.06	10.62	8	0.87	11.75	12.60	100
11	10"	13.00	10.00	15.95	1.12	12.75	12	1.00	14.25	14.37	143
12	12"	14.00	12.00	19.10	1.18	15.0	12	1.00	17.00	16.14	250

Sleeved Plug Valve Lever Operated - class 300#

Sleeved Plug Valve Gear Operated - class 300#



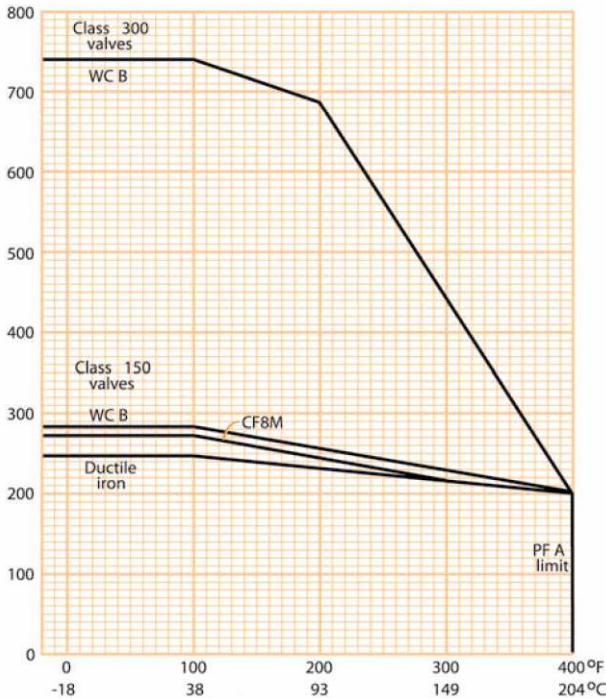
S.NO	PART NAME
1	BODY
2	PLUG
3	COVER
4	SLEEVE
5	THRUST COLLAR
6	WEDGE RING
7	METAL DIAPHRAGM
8	DIAPHRAGM
9	COVER BOLT
10	ADJUSTING BOLT
11	WRENCH / BRACKET
12	WRENCH BOLT / GEAR BOX



ALL DIMENSIONS ARE IN "INCH" UNLESS OTHERWISE SPECIFIED

SR. NO.	SIZE	F/F	øB	øF	T	øRF	N	øD	K	H	Wt in Kgs
01	0.5"	5.50	0.51	3.74	0.50	1.37	4	0.62	2.62	2.75	2.8
02	0.75"	6.00	0.75	4.53	0.56	1.69	4	0.75	3.25	3.54	3.5
03	1"	6.50	1.00	4.92	0.62	2.00	4	0.75	3.50	3.94	5.2
04	1.5"	7.50	1.50	6.10	0.75	2.87	4	0.87	4.50	4.72	9.1
05	2"	8.50	2.00	6.50	0.80	3.62	8	0.75	5.00	5.70	11.8
06	2.5"	9.50	2.50	7.50	0.94	4.12	8	0.87	5.87	5.90	16.2
07	3"	11.10	3.15	8.27	1.06	5.00	8	0.87	6.62	6.30	21.9
08	4"	12.0	4.00	10.00	1.20	6.19	8	0.87	7.87	7.87	36.5
09	6"	15.87	5.98	12.60	1.38	1.38	12	0.87	10.62	11.02	93.5

PRESSURE-TEMPERATURE RATINGS



TORQUE DETAILS

CLASS #150		CLASS #300	
Size	Observed Torque in NM at 10 Bar	Size	Observed Torque in NM at 10 Bar
1/2"	15	1/2"	15
3/4"	20	3/4"	20
1"	30	1"	30
1.5"	45	1.5"	45
2"	75	2"	75
2.5"	110	2.5"	110
3"	120	3"	120
4"	175	4"	175
6"	1565	6"	1565
8"	2000	Note: Mentioned Torques are with 25% safety factor.	
10"	3500		
12"	6500		

Part Number Selection - SPV -C1-T3-PT-F5-L-N-150#-01

VALVE TYPE	CODE	SLEEVE	CODE
SLEEVED PLUG VALVE	SPV	PTFE	PT
SLEEVED PLUG VALVE -FULL JACKETED TYPE	SPVFJ	TFM (Modified PTFE)	TF
SLEEVED PLUG VALVES PARTIALLY JACKETED	SPVPJ	GPTFE (Glass Filled)	GP
SLEEVED PLUG VALVES - FUGITIVE EMISSION	SPVFE	CPTFE (Carbon Filled)	CP
PTFE BELLOWS / EXPANSION JOINT	EXJ	RPTFE (Reinforced PTFE)	RP

CASTINGS	CODE	FASTNERS	CODE
ASTM A216 GR.WCB	C1	Steel Plated Gr. 4.6	F1
ASTM A351 Gr. CF8 (SS304)	C2	SS304	F2
ASTM A351 Gr. CF8M (SS316)	C3	SS316	F3
Alloy 20	C4	High Tensile	F4
Duplex	C5	ASTM A193 Gr. B7	F5
Super Duplex	C6	Hastelloy C 276	F6
Hastealloy C	C7	Alloy 20	F7
ASTM A351 Gr. CF3M (SS316L)	C8	ASTM A193 Gr. B7M	F6
Nickel	C9	ALLOY 20	F9
Inconel	C10	SS316 L	F10
Monel	C11	MONEL	F11
ASTM A352 LCB	C12	MS GALVANISED	F12

FLANGE RATING	CODE	OPERATION	CODE	SIZE	CODE
CLASS 150#	150#	LEVER	L	1/2"	0H
CLASS 300#	300#	GEAR	G	1"	1
DIN PCD	DIN	BARE STEM	B	1.5"	1H
		PNEUMATIC ACT	P	2"	2
		ELECTRIC ACT	E	2.5"	2H
		OVAL HANDLE	O	3"	3
		HANDWHEEL	H	4"	4
				6"	6
				8"	8
				10"	10
				12"	12

LOCKING	CODE
YES	Y
NO	N



OFFICE ADDRESS:

DJK-ENERGY HOUSTON INC

1127, Eldridge Pkwy,

Ste 123 Houston, Texas - 77077, USA

Mobile: +1 832.213.9674 Office: +1 832.382.6034

Email: dj@djkvalvespumps.com

Web: djkvalvesPumps.com